

Casing End Seals

- For safety reasons carrier pipes are installed inside casing sleeves wherever pipes are being laid under roads, railways or rivers. It is important that the annular space is kept dry in order to reduce the risk of corrosion.
- Used to seal the annular spaces between the casing and carrier pipe to prevent the ingress of moisture, water and other foreign objects.
- Flexible to adapt to the thermal expansion and contraction of the casing and carrier pipe.
- Flexible to adapt to the non-concentricity between the casing and carrier pipe.
- It has excellent physical properties, an optimal ageing resistance and chemical resistance, even at low temperatures
- Easy and quick to install

Types

DU

- **Descriptions:**

DU casing end seals are only used for new installations and fixed pipe diameters. The folded design adapts to the eccentric position between the casing and carrier pipe.

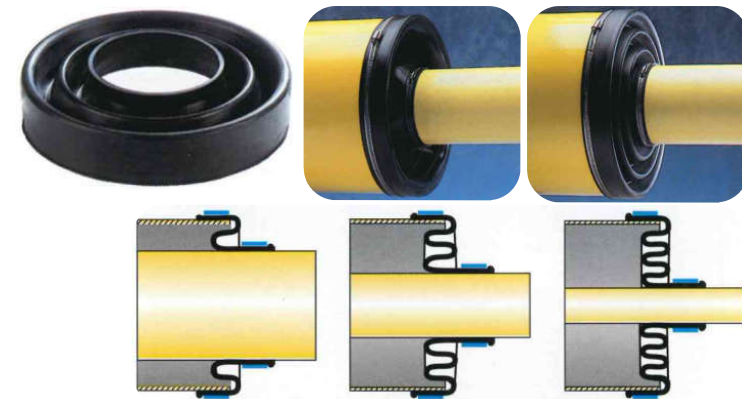
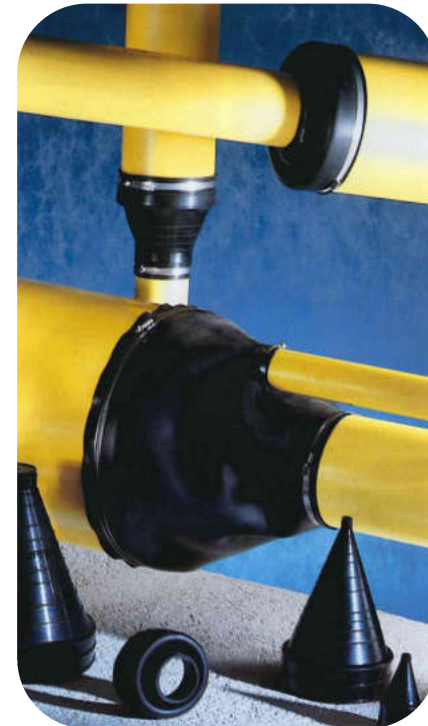
- **Technical Dates:**

Material: EPDM/Silicone Rubber

Thickness: 5-6mm

Shore-A: 60±5

Straps: Stainless Steel



● Size table:

Item Model	N. D Of Pipe (Carrier×Casing)	O. D. Carrier Pipe	O. D. Casing Pipe	Apr. Unit Weight
	inch	mm	mm	kg
DU-0204	2×4	60~66	114~120	0.29
DU-0206	2×6	60~66	168~174	0.41
DU-0306	3×6	89~94	168~174	0.44
DU-0308	3×8	89~94	219~225	0.81
DU-0408	4×8	114~120	219~225	0.58
DU-0410	4×10	114~120	273~279	1.03
DU-0610	6×10	168~174	273~279	0.76
DU-0612	6×12	168~174	324~330	1.3
DU-0812	8×12	219~225	324~330	0.93
DU-0814	8×14	219~225	356~362	1.5
DU-1014	10×14	273~279	356~362	1.05
DU-1016	10×16	273~279	407~412	1.77
DU-1216	12×16	324~330	407~412	1.22
DU-1218	12×18	324~330	457~463	2.04
DU-1418	14×18	356~362	457~463	1.38
DU-1420	14×20	356~362	508~515	2.27
DU-1620	16×20	407~412	508~515	1.55
DU-1622	16×22	407~412	559~566	2.54
DU-1822	18×22	457~463	559~566	1.72
DU-1824	18×24	457~463	610~616	2.8
DU-2024	20×24	508~515	610~616	1.89

Item Model	N. D Of Pipe (Carrier×Casing)	O. D. Carrier Pipe	O. D. Casing Pipe	Apr. Unit Weight
	inch	mm	mm	kg
DU-2026	20×26	508~515	660~667	3.06
DU-2226	22×26	559~566	660~667	2.05
DU-2228	22×28	559~566	711~718	3.33
DU-2428	24×28	610~616	711~718	2.22
DU-2430	24×30	610~616	762~769	3.6
DU-2630	26×30	660~667	762~769	2.4
DU-2632	26×32	660~667	813~821	3.86
DU-2832	28×32	711~718	813~821	2.57
DU-2834	28×34	711~718	864~871	4.13
DU-3034	30×34	762~769	864~871	2.73
DU-3036	30×36	762~769	914~922	4.39
DU-3238	32×38	813~821	965~973	4.65
DU-3440	34×40	864~871	1016~1024	4.92
DU-3642	36×42	914~922	1067~1075	5.19
DU-3844	38×44	965~973	1118~1126	5.45
DU-4046	40×46	1016~1024	1168~1176	5.71
DU-4248	42×48	1067~1075	1219~1227	5.98

1. EPDM elastomers allow approx 7% shrinking/stretching.
2. EPDM Casing End Seals temperature resistant from -30 to +100° C.
3. Silicone Casing End Seals temperature resistant from -55 to +230° C
4. Pls contact sales ataff if other sizes.

KT

- Descriptions:**

KT casing end seals are only used for new installations and variable pipe diameters. Need to cut the seals at the closed size (less than the external diameter of the carrier pipe). Fasten it with the included SS straps.

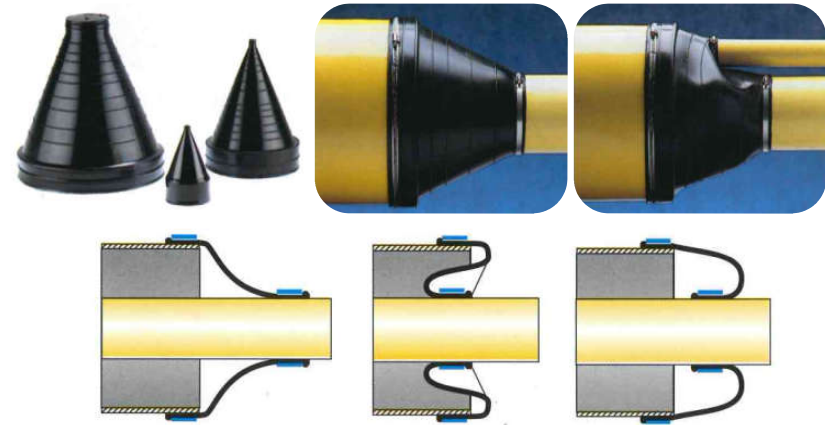
- Materials:**

Material: EPDM/Silicone Rubber

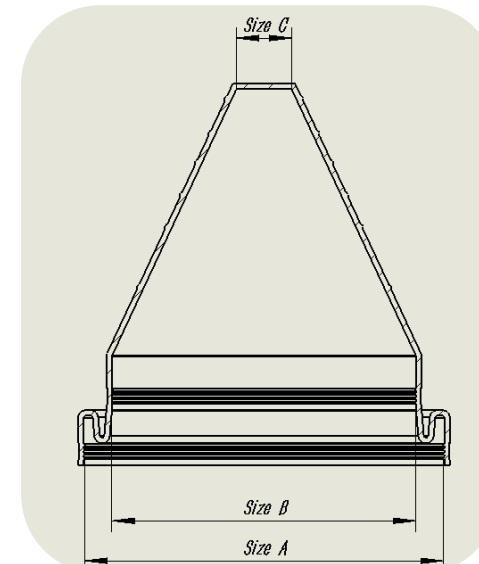
Thickness: 5-6mm

Shore-A: 60±5

Straps: Stainless Steel



Item Model	Carrier Pipe I.D.	Casing Pipe I.D.	Casing Pipe I.D.
	Size A	Size B	Size C
KT114-141	141	114	20
KT168-219	219	168	32
KT273-324	324	273	50
KT356-406	406	356	80
KT508-610	610	508	150



KG/KO

- **Descriptions:**

NKG for new installation, NKO for retrofitting. This type of casing end seals are manufactured in a cone. Due to individual production of the casing seals, they are available for nearly all pipe sizes and carrier pipe/casing pipe combinations. Fasten it with the included SS straps.

- **Technical Dates:**

Material: CR (Chloroprene Rubber)/EPDM

Thickness: 2~3mm

Shore-A: 60±5

Straps: Stainless Steel



